

Manual Motor Starters OKN



Manual motor starter with rotary knob, 2/3-pole

Thermal trip with phase-drop protection
 Setting range 0.25 – 27.0 A; 500 V AC
 Switching capacity 7.5 kW
 Switching operations 30/h

Type overview OKN

Order reference	Description Rated current setting range (A)	Packing (units)	Weight in g	Part No.
OKN 0.4	0.25 – 0.40 A	1	170	203 391
OKN 0.63	0.40 – 0.63 A	1	170	203 407
OKN 1.0	0.63 – 1.00 A	1	170	203 414
OKN 1.6	1.00 – 1.60 A	1	170	203 421
OKN 2.5	1.60 – 2.50 A	1	170	203 438
OKN 4.0	2.50 – 4.00 A	1	170	203 445
OKN 6.3	4.00 – 6.30 A	1	170	203 452
OKN 10.0	6.30 – 10.0 A	1	170	203 469
OKN 16.0	10.0 – 16.0 A	1	170	203 476
OKN 22.0	16.0 – 22.0 A	1	170	203 483
OKN 27.0	22.0 – 27.0 A	1	170	203 490
OKN 30.0	22.0 – 30.0 A (2-pole)	1	170	203 506
OKN 37.0	28.0 – 37.0 A (2-pole)	1	170	236 665

Technical Data OKN

Technical Data (OKN)	
Rated insulation voltage U_i acc. to IEC 947-4-7 / VDE 0110	500 V AC
Permissible ambient temperature	
Storage temperature	-25...+ 70 °C
open	-25...+ 60 °C
enclosed type	-25...+ 40 °C
Temperature compensation	yes
Climatic resistance	IEC 68 T2-3, 2-30
Glow wire resistance acc. to IEC 695-2-1	Intensity 850°C
Working position any position	preferably vertical
Permissible altitude	3000 m
Permissible vibration resistance IEC 68-2-6	25 Hz b./- 1 mm Amplitude (2,5 g)
Permissible impact direction sine impact (critical direction IEC 68-2-27)	20 g (11 ms)

Technical Data (OKN)	
Surface mounting	2 x M4*
Screw mounting	
Mechanical life in cycles	100.000
Maximum switching operations Cycles/hour	30
Main current paths Number	2 / 3
Rated operational voltage U_e up to	37 A / 250 V 27 A / 500 V
Thermal current I_{th}	37 A, 2-pol / 27 A, / 3-pol
Rated operational current I_e	27 A, / 3-pol
Current setting ranges I_e acc. to VDE 0660 Teil 102 A, IEC 947-4-1	22 – 37 A, 2-pol 0.25 – 27 A, 3-pol
Numbers of ranges	2 / 11
Current dissipation loss Main current paths at I_e max./Phase	1.8...3.2 W
Trip class	10A

*not included

Manual Motor Starters OKN



Technical Data OKN

Conductor cross-section (OKN)		
Manual motor starter	rigid cable 1 x	1 ... 6.0 mm ²
	rigid cable 2 x	1 ... 4.0 mm ²
	flexible cable* 1 x	1 ... 4.0 mm ²
	flexible cable* 2 x	1 ... 2.5 mm ²
Enclosure/ PE/N terminal	rigid cable 1 x	1 ... 6.0 mm ²
	rigid cable 2 x	1 ... 4.0 mm ²
	flexible cable* 1 x	1 ... 4.0 mm ²
	flexible cable* 2 x	1 ... 2.5 mm ²
Degr. of protection acc. to DIN 40050		IP 20
open type / enclosed type		IP 54

*with cable end sleeve

Switching capacity (OKN)	
40 ... 60 Hz P1 / I _{cn} acc. to VDE 0660 / IEC 155-1 allowing for the mains back-up fuse	
230 V	6 kA
400 V	3 kA
440 V	3 kA
500 V	1 kA

Standards (OKN)	
The devices comply with the requirements of major international, European and national specifications	VDE, IEC, BS, CEI, NBN, NEN, SEV, UTE, D, N, S, Fi

Contact rating at AC 3 (2 pole/3 pole)	
230 V	- 7.5 kW
400 V	- 11.5 kW
500 V	- 15 kW

Setting ranges, intrinsic safety and max. back-up fuses

Order reference	Setting range A	max. back-up fuse gL (A)	
		1 x 250 V	3 x 230 V, 3 x 500 V
OKN 0.4	0.25 – 0.40 A	-	2
OKN 0.63	0.40 – 0.63 A	-	6
OKN 1.0	0.63 – 1.00 A	-	10
OKN 1.6	1.00 – 1.60 A	-	16
OKN 2.5	1.60 – 2.50 A	-	25
OKN 4.0	2.50 – 4.00 A	-	35
OKN 6.3	4.00 – 6.30 A	-	63
OKN 10.0	6.30 – 10.0 A	-	63
OKN 16.0	10.0 – 16.0 A	-	63
OKN 22.0	16.0 – 22.0 A	-	35
OKN 27.0	22.0 – 27.0 A	-	35
OKN 30.0	22.0 – 30.0 A	50	-
OKN 37.0	28.0 – 37.0 A	50	-

Accessories OKN

Order reference	Description	Packing (units)	Weight in g	Part No
Enclosure-accessories				
H	Enclosure H, protection IP 41	1	225	203 513



Enclosure H

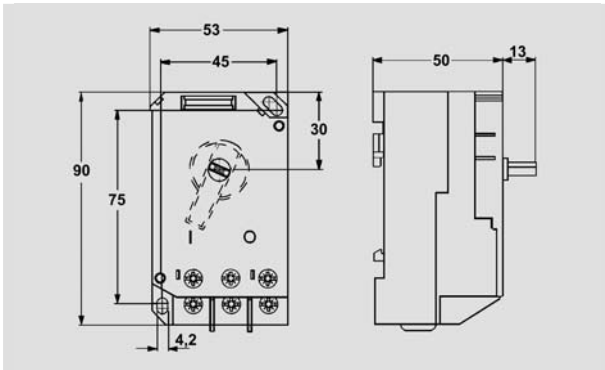


OKN +
Enclosure H

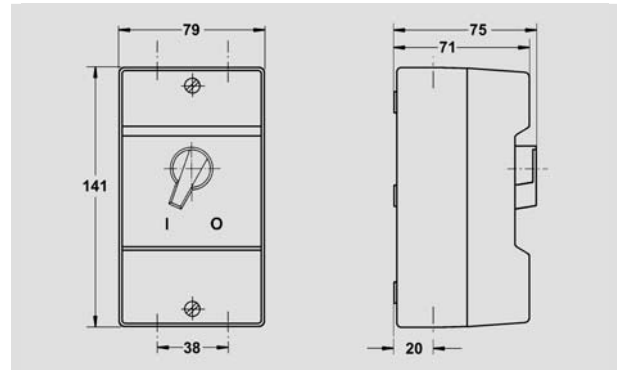
Manual Motor Starters OKN



Dimensions OKN

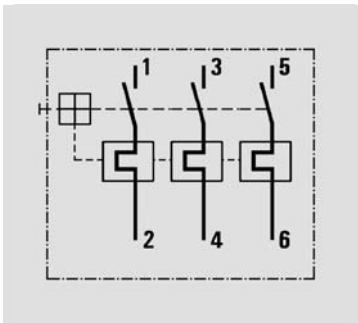


Manual motor starter
OKN

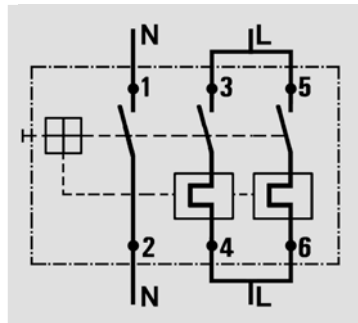


Enclosure H

Circuit Diagrams OKN



Manual motor starter
OKN



Manual motor starter
OKN 30 a. OKN 37 (2-pol.)

Tripping curves OKN

