

Pressure switch MDR 2



Pressure switch MDR 2

Single phase
 Switching capacity 2.2 kW
 Max. cut-out pressure 12 bar
 2-pole (N.C.)
 Acc. to EN 60947

Type overview MDR 2

Order reference	ON / OFF Rotary knob	Pressure range P _{OFF} in bar	Flange	Weight in g	Part No.
MDR-2 DBA AAAA 015A030 XAA XXX	EA	1.5 - 7	G 1/4"	300	212164
MDR-2 GBA AAAA 070A090 XAA XXX	EA	4 - 12	G 1/4"	300	212171
MDR-2 GEA AAAA 070A090 XAA XXX	EA	4 - 12	F4 1/4"	320	212188
MDR-2 GFA AAAA 070A090 XAA XXX	EA	4 - 12	F4 3/8"	320	212195
MDR-2 GDA AAAA 070A090 XAA XXX	EA	4 - 12	F4 1/2"	320	212201
MDR-2 DBA BAAA 015A030 XAA XXX	-	1.5 - 7	F4 1/4"	300	217381
MDR-2 GBA BAAA 070A090 XAA XXX	-	4 - 12	F4 1/4"	300	217404
MDR-2 GEA BAAA 070A090 XAA XXX	-	4 - 12	F4 1/4"	320	219408
MDR-2 GFA BAAA 070A090 XAA XXX	-	4 - 12	F4 3/8"	320	226888
MDR-2 GDA BAAA 070A090 XAA XXX	-	4 - 12	F4 1/2"	320	226895

Unloader valves and cable glands for retrofitting see Accessories!

Technical Data MDR 2

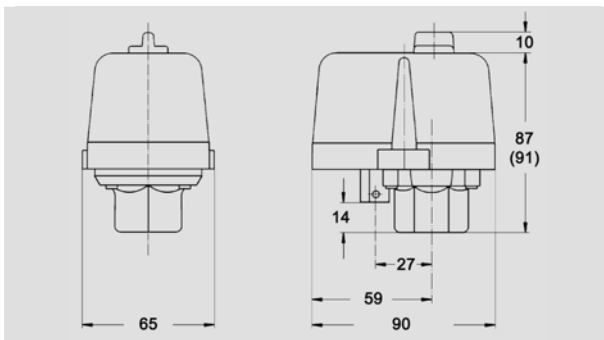
Technical Data MDR 2 acc. to 60947	
Rated insulation voltage U _i	500 V
Motor switching capacity (AC 3) U _e =240 V (1~)	2.2 kW
Electrical life (AC 3) Cycles	> 1 x 10 ⁵
Mechanical life Cycles	> 5 x 10 ⁶
Max. electrical cycles Cycles/h	120
Max. mechanical cycles Cycles/h	600
Rated operational current I _e at 240 V AC	20 A
Bursting strength P _z	> 35 bar
Permissible medium temperature Air	- 5...+ 80 °C

Technical Data MDR 2 acc. to 60947	
Permissible medium temperature Water	+ 80 °C
Degree of Protection acc. to EN 60529	IP 44
Conductor cross-section 1 .. fine stranded cable 1 x / 2 x	2.5 / 2.5mm ²
Conductor cross-section 1 rigid cable 1 x / 2 x	2.5 / 2.5mm ²

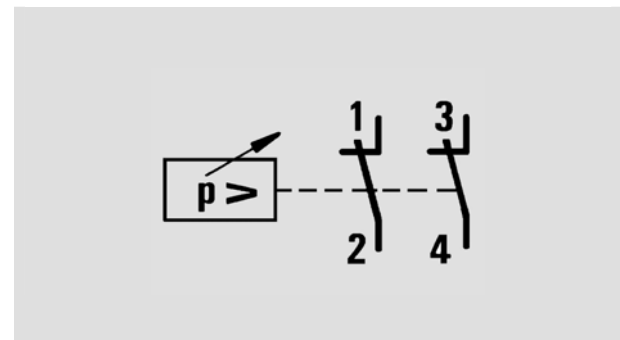
Diaphragm media resistance MDR 2	
Air, Water	resistant

A detailed overview of diaphragm media resistance for all pressure switches can be found in the table on page 2.11

Dimensions / Circuit Diagrams MDR 2



Pressure switch MDR-2



Accessories MDR 2

Order reference	Description	Weight in g	Part No.
Unloader valves			
EV 2	With screw connection for 6 mm plastic or copper discharge tubes	25	200666
EV 2S	With quick-connect for 6 mm plastic discharge tubes	25	200680
EV 2W	90° with screw connection for 6 mm plastic or discharge copper tubes	25	200697
EV 2Wi	90° with screw connection for 1/4" mm plastic or discharge copper tubes	15	200703
EV 2WS	90° with quick-connect for 6 mm plastic discharge tubes	15	200710
Delayed unloader valves			
AEV 2S	With quick-connect for 6 mm plastic discharge tubes	25	200741
AEV 2W	90° with screw connection for 6 mm plastic or copper discharge tubes	15	200758
AEV 2Wi	90° with screw connection for 1/4" mm plastic or copper discharge tubes	15	200765
AEV 2WS	90° with quick-connect for 6 mm plastic discharge tubes	15	200772
Cable glands			
WN	Grommet	6	200888
PG 11 G	Conduits for mounting of cable glands (Inner thread)	6	200895
PG 11 V	Cable gland complete	12	200901
PG 11 Z	With strain relief	12	200925
PG 11 ZK	With strain relief and cable support	12	200918
PG 13.5 G	Conduits for mounting of cable glands (Inner thread)	6	200963
PG 13.5 V	Cable gland complete	12	200932
PG 13.5 Z	With strain relief	12	200956
PG 13.5 ZK	With strain relief and cable support	12	200949
Cover			
H2 (Haube MDR 2)	Cover without On/Off lever (Neutral version without marking)	40	217510
H2-EA (Haube MDR 2+EA)	Cover with On/Off lever for manual On/Off (neutral version, without marking)	40	229445

Unloader valves / Delayed unloader valves



EV 2



EV 2S



AEV 2S



EV 2W / EV 2Wi



AEV 2W / AEV 2Wi



EV 2WS



AEV 2WS

Pressure switch MDR 2



Cable glands MDR 2



WN



PG .. G



PG .. V

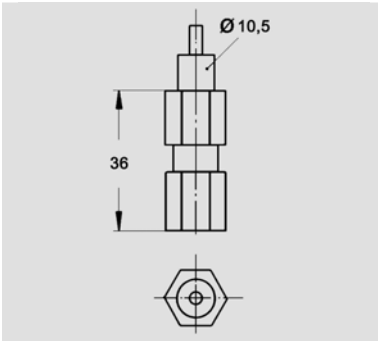


PG .. Z

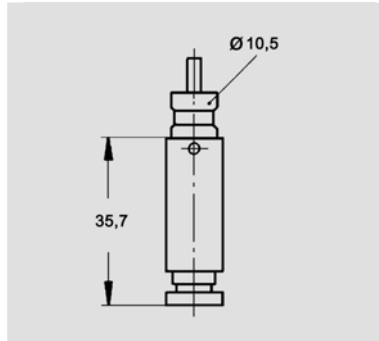


PG .. ZK

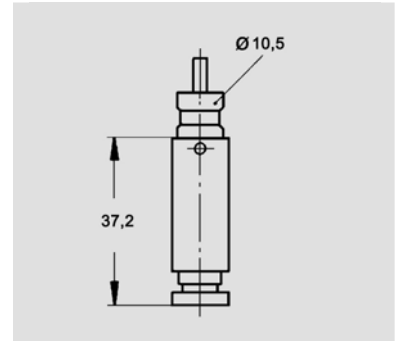
Dimensions, Accessories MDR 2



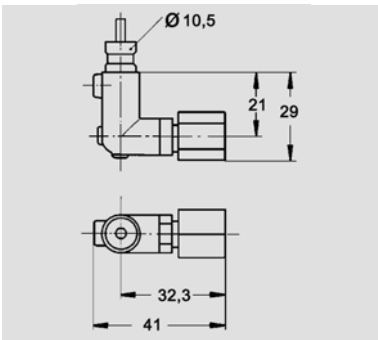
EV 2



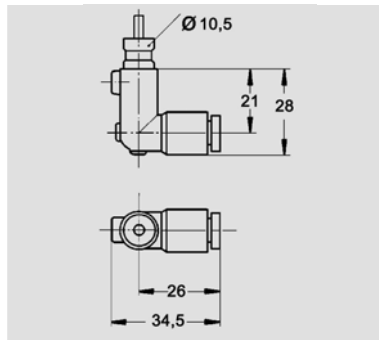
EV 2S



AEV 2S



EV 2W / EV 2Wi
AEV 2W / AEV 2Wi



EV 2WS
AEV 2WS

Pressure Diagrams

